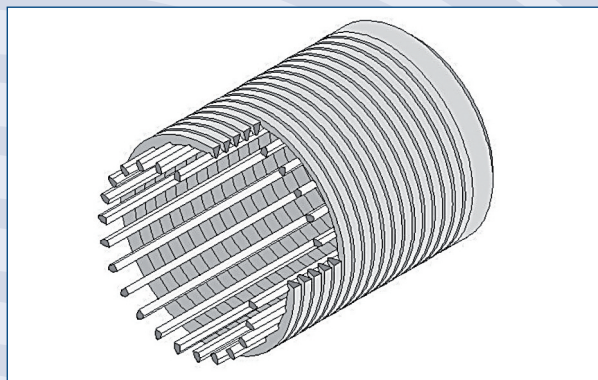


HP WELL SCREEN

FREEFLOW SCREEN

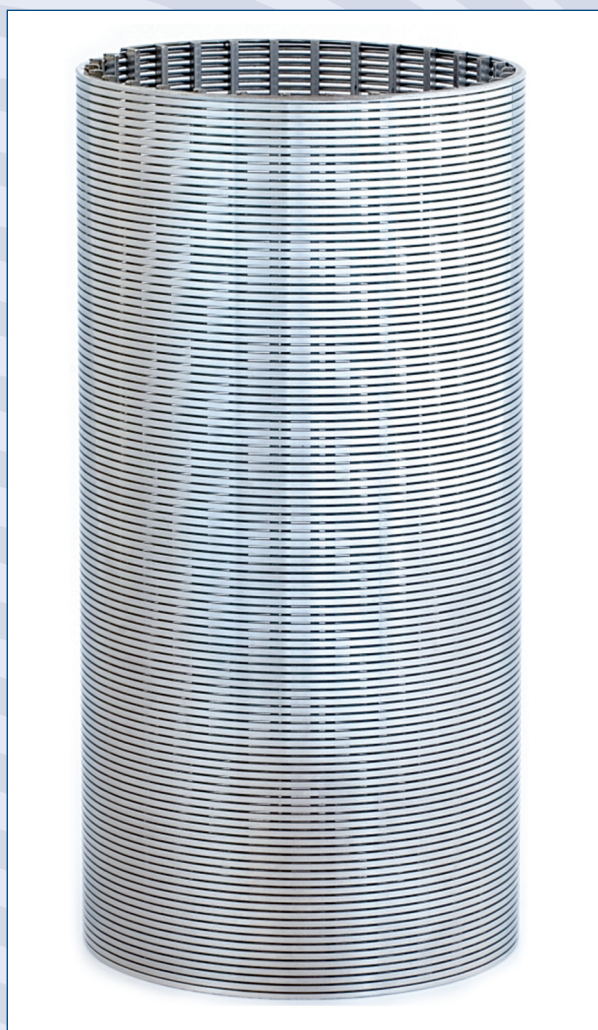


The HP Well Screen FreeFlow Screen is manufactured by wrapping a V-shaped profile wire cylindrical around longitudinal placed support rods creating a continuous non-clogging slot opening providing free flow and optimal sand control.

Wedge wire screen

The advanced wedge wire screen technology combines superior weld strengths with accurate slots tolerances. A large number of rods increases tensile strength and achieves rounder and stronger screens. The all welded screen construction is fully pickled and passivated for maximum corrosion resistance.

The result is a reliable sand control screen providing a greater efficiency and a longer well life



Features

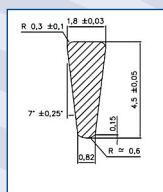
The FreeFlow Screen provides:

- Maximum flow capacity
- Minimum pressure drop
- Accurate slot openings
- Strong construction
- Superior corrosion resistance

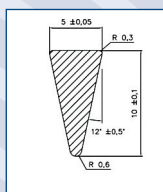
Customized design

The design is customized to your demands.

- Slot opening from 50 micron up to 2000 micron
- All pipe and telescope sizes are available
- Customized construction:
 - High flow v-wires for open area
 - Heavy duty v-wires for collapse strength
 - Support rod sizes for tensile strength
- Customized material grades
 - 304/316L/904/Duplex/Alloy 825/625/C276 etc.
- Customized end-fittings and threaded connections



High Flow V-shaped wire. (more available)



Heavy Duty V-shaped wires. (more available)

